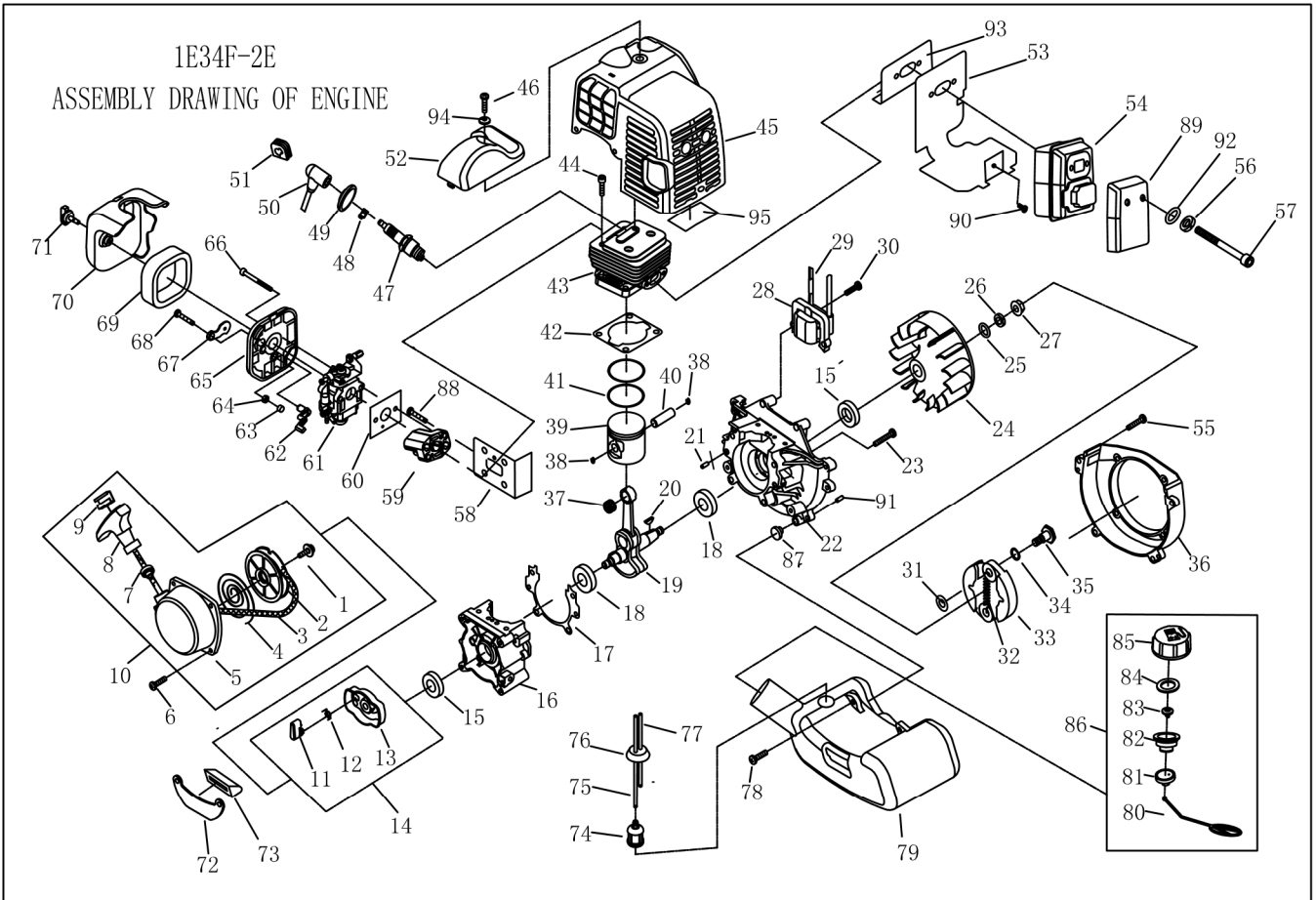




DESBROZADOR CG260A-CG260A-E

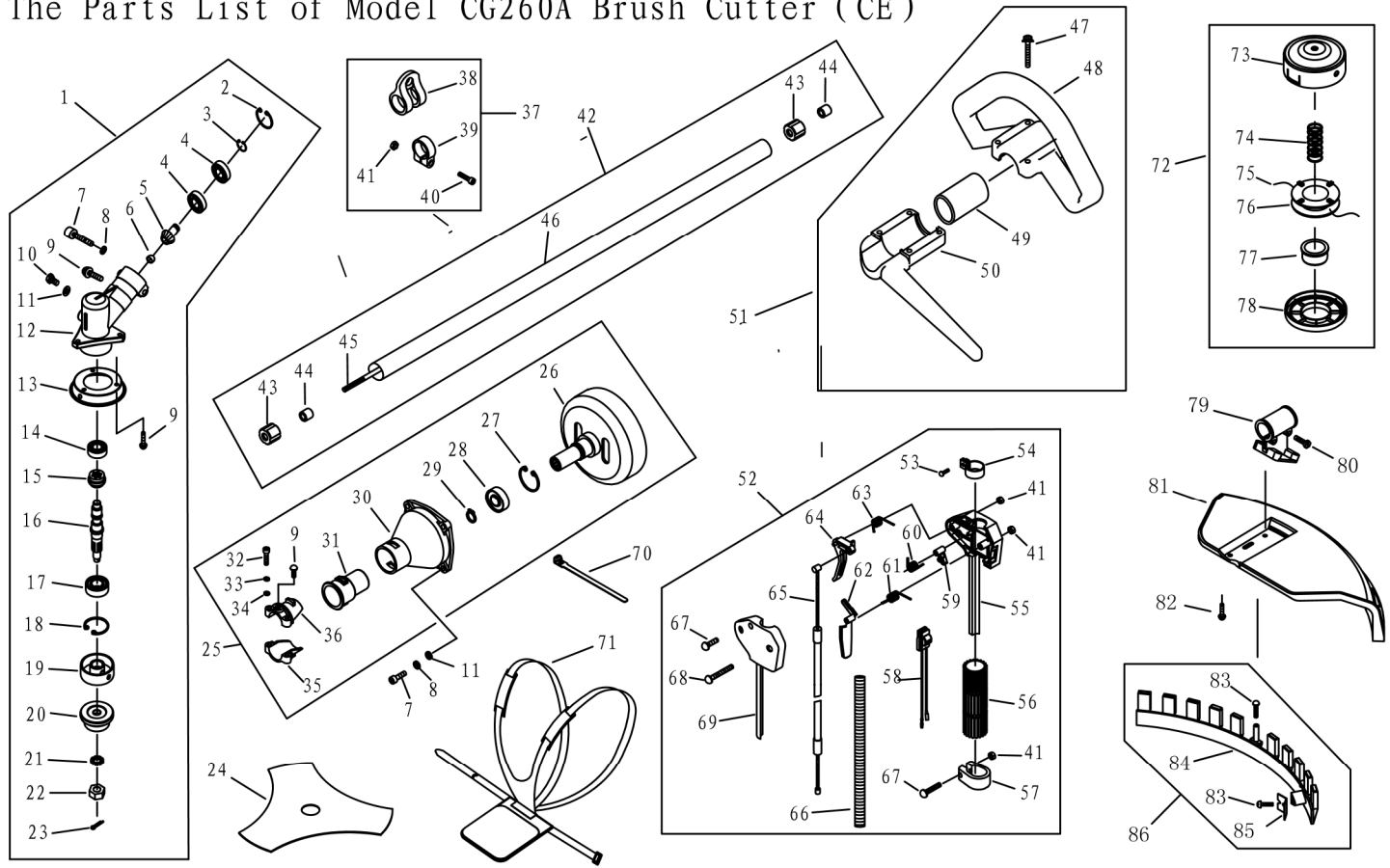
MUY IMPORTANTE.
Indicar por favor el número de figura y la referencia



1E34F-2E GASOLINE ENGINE (1) 1E34F-2E GASOLINE ENGINE (2)

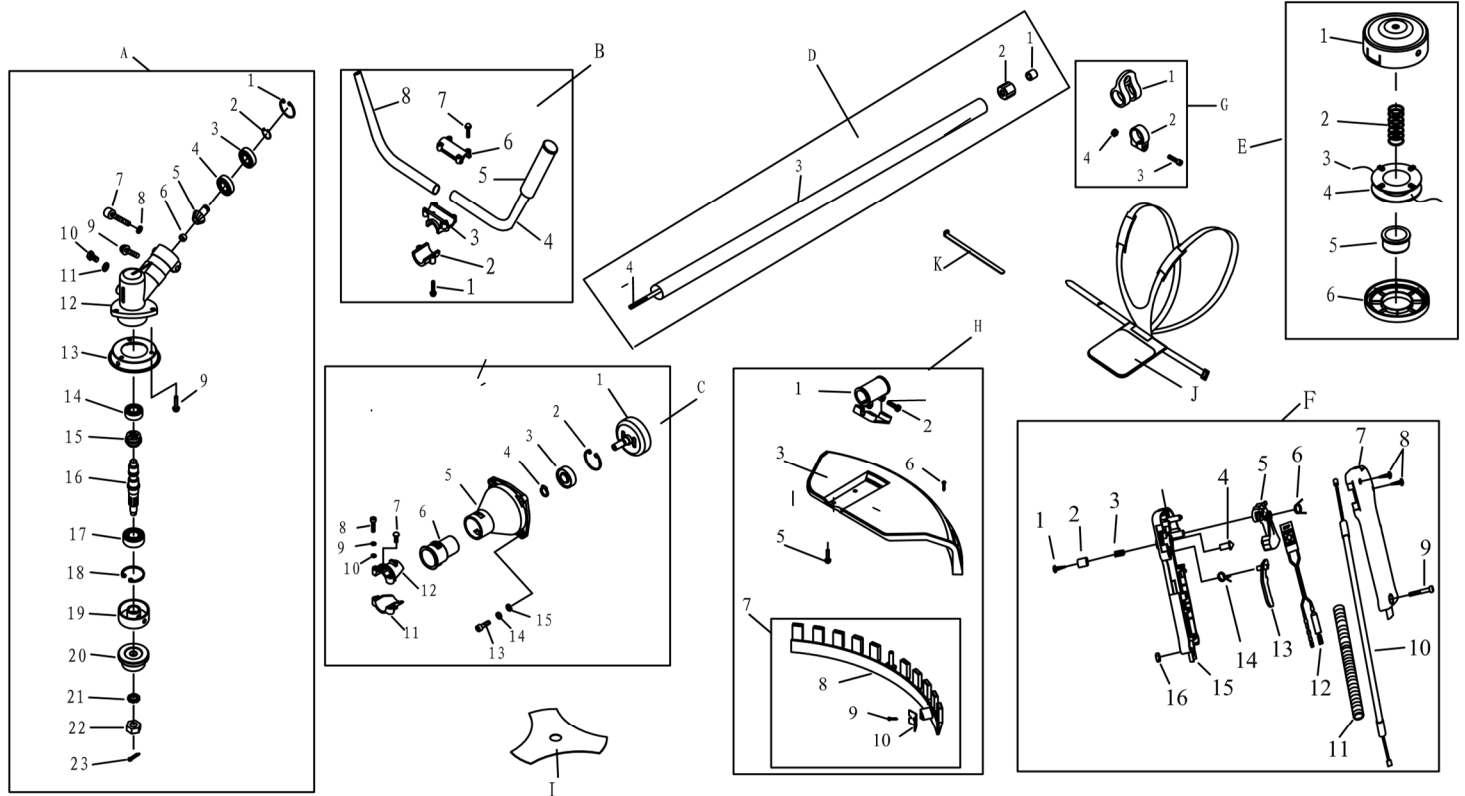
NO.	Part No.	Part Name	Qty.	NO.	Part No.	Part Name	Qty.	NO.	Part No.	Part Name	Qty.	NO.	Part No.	Part Name	Qty.
1	GB/T9074.6	Screw M5×10	1	25	GB/T859	Washer 8	1	49	1E34F.5-3	Plug Cap	1	73	1E31F-4	Rubber Cover	1
2	1E34F.11-2	Start Rope Reel	1	26	GB/T97.1	Washer 8	1	50	1E34F-E.3-1	Cap	1	74	1E34F.9.2-3A	Cleaner Cover	1
3	1E34F.11-3	Rope	1	27	GB/T6171	Nut M8×1	1	51	1E40F-5.3-1	Plug	1	75	CG420.1.3.2-2	Fuel Pipe 3×1×140	1
4	1E34F.11-1	Recoil Spring	1	28	1E34F-2E.3.2	IGNITION COIL COMP.	1	52	1E34F-E-4	Cover	1	76	EB-415.4.2-2	Plug	1
5	1E34F.11.1	Start Cover Ass'y	1	29	1E36F-2.3.1	Cord Comp.	1	53	1E34F-E-2	Gasket	1	77	EB-415.4.2-4	Fuel Pipe 2.5×1.25×85	1
6	GB/T9074.4	Screw M4×16	4	30	GB9074.13	Screw M5×20	2	54	1E34F-2E.2	Muffler	1	78	GB/T9074.4	Screw M5×16	2
7	1E34F.11.1-1	Guide Bushing	1	31	1E34F-11	Washer	2	55	GB/T9074.13	Screw M5×16	4	79	1E31FE.8-1	Fuel Tank	1
8	1E36F.1-1	Start Handle	1	32	1E34F.10-1	Spring	1	56	GB/T93	Washer 5	2	80	1E32FL.6.2-4	Chain	1
9	1E36F.1-5	Resist Gasket	1	33	1E34F.10.1	Expander	2	57	GB/T70.1	Screw M5×55-12.9	2	81	1E32FL.6.2-3	End Cover	1
10	1E34F.11G	Starter	1	34	1E34F-13	Spring	2	58	1E34F-E-8	Gasket	1	82	1E32FL.6.2-2	Inside Cover	1
11	1E34F.8-1	Start pole	1	35	1E34F-12	Screw Pin	2	59	1E34F-E.8	Admitting Pipe	1	83	EB-415.4.1.1-1	Inlet	1
12	1E34F.8-2	Spring	1	36	1E31FE-HS-3	Fan Cover	1	60	1E36F-E-11	Gasket	1	84	CG420.1.3.1-2	Gasket	1
13	1E34F.8.1	Start Reel	1	37	1E31F.4.1	Bearing	1	61	1E34F-2E.1A	Carburetor	1	85	1E32FL.6.2-1	Fuel Tank Lid	1
14	1E34F.8	Start Reel Ass'y	1	38	1E34F.6-2	Ring	2	62	1E34F.1-2	Choker Handle	1	86	1E32FL.6.2	Lid Ass'y	1
15	1E36F.2	Oil-seal	2	39	1E34F-E.4-1	Piston	1	63	1E34F.1-7	Stop ring	1	87	1E40F-5A-3	Rubber washer	2
16	1E34F-E.6-1	Crank Case	1	40	1E34F.6-3	Piston Pin	1	64	GB/T6170	Nut M4	1	88	GB/T9074.4	Screw M5×25	2
17	1E34F-E.6-2	Gasket	1	41	1E34F.6-5	Piston Ring	2	65	1E34F.1.1	Cleaner inside cover	1	89	1E34F-E-7	Cover	1
18	GB/T276	Bearing 6001/P5	2	42	1E34F-E-3	Gasket	1	66	GB/T9074.4	Screw M5×55	2	90	GB/T9074.4	Screw M4×8	1
19	1E34F-E.4.1	Crank Shaft	1	43	1E34F-2E-1	Cylinder	1	67	1E34F.1-3	CHOKER	1	91	GB/T119.2	Pin B4×10	2
20	1E40FP-3Z.3-1	Key 3x5x13	1	44	GB/T70.1	Screw M5×18	4	68	GB/T845	Screw ST4.2×12-F-H	1	92	GB/T97.1	Washer 5	2
21	GB/T119.2	Pin B3×10	2	45	1E34F-E.5	Guide Cover Ass'y	1	69	1E34F.1-1	Filter Net	1	93	HA28-6	Gasket	1
22	1E34F-E.6-3	Crank Case	1	46	GB/T9074.4	Screw M5×20	1	70	1E34F.1-4	Cleaner Outside Cover	1	94	1E36F-2C-1	Gasket	1
23	GB/T9074.4	Screw M5×25	4	47	L8RTC	Spark Plug	1	71	1E34F.1.2	Screw	1	95	1E36F-E-9	Gasket	0.048
24	HA28.2.1.2	MAGNETO ROTOR COMP.	1	48	1E40F-3A.8-2	Spring	1	72	1E34F-E-6	Stand	1				

The Parts List of Model CG260A Brush Cutter (CE)



NO.	PART NO.	PART NAME	QTY.	NO.	PART NO.	PART NAME	QTY.	NO.	PART NO.	PART NAME	QTY.
1	CG415. 3	Gear Case Ass'y	1	30	CG261. 1-1	Linker	1	59	CG305F. 13-10	Tine	1
2	GB/T893. 2	Stop Ring 26	1	31	CG305F. 14-2	Rubber Cover	1	60	CG305F. 13-11	Spring	1
3	GB/T894. 1	Stop Ring 10	1	32	GB/T70. 1	Screw M5×25	2	61	CG305F. 13-9	Spring	1
4	GB/T276	Bearing 6000-2RS/P5	2	33	GB/T93	Washer 5	7	62	CG305F. 13-8	Safety Lever	1
5	CG415D. 6-4	Pinion	1	34	GB/T97. 1	Washer 5	6	63	CG305F. 13-1	Spring	1
6	CG415. 3-1	Steel Cap	1	35	CG305F. 14-3	Clamp B	1	64	CG305F. 13-2	Throttle Lever	1
7	GB/T70. 1	Screw M6×20	5	36	CG305F. 14-4	Clamp A	1	65	CG260. 2. 2C	Cable Comp.	1
8	GB/T93	Washer 6	6	37	CG260. 3	Holder Ass'y	1	66	CG260. 2-1	Tube	1
9	GB/T9074. 4	Screw M5×12	5	38	CG260. 3. 1	Harness Clamp	1	67	GB/T9074. 4	Screw M5×25	2
10	GB/T29. 2	Bolt M6×12	2	39	CG260. 3-1	Clamp	1	68	GB/T9074. 5	Screw M5×30	1
11	GB/T97. 1	Washer 6	5	40	GB/T70. 1	Screw M5×20	2	69	CG305F. 13-3	Box, Left	1
12	BG305. 12. 4-4	Gear Case	1	41	GB/T889. 1	Nut M5	5	70	BG415-1B	Wire Clamp Band	2
13	BG305. 12. 4-9	Safety Guard	1	42	CG415-CE. 1	Pipe Comp.	1	71	CG260A-CE. 1	Harness Ass'y	1
14	GB/T276	Bearing 6000/P5	1	43	BG-328. 9. 4-5	Rubber Cover	6	72	CG520-HL. 17	Nylon Cutter Head	1
15	BG-328. 9. 5-2	Gear	1	44	BG-328. 9. 4-4	Oil-Bearing	6	73	CG520-HL. 17. 1	Case	1
16	CG305F. 1-1	Gear Shaft	1	45	CG420. 2-3	Drive Shaft	1	74	CG520-HL. 17-3	Spring	1
17	GB/T276	Bearing 6002-2RS/P5	1	46	CG415-CE. 1-1	Pipe	1	75		Nylon Rope φ2.5×2100	2
18	GB/T893. 2	Stop Ring 32	1	47	1E40F-5A-CE-4	SCREW M5×30	5	76	CG520-HL. 17-2	Cord Holder	1
19	BG305. 12. 4-5	Holder A	1	48	CG245Q. 11-1	HANDLE	1	77	CG520-HL. 17-4	Cover	1
20	CG305F. 1-3	Holder B	1	49	BG330-CE. 1-2	RUBBER COVER	1	78	CG520-HL. 17-1	Cover	1
21	GB/T862. 1	Washer 10	1	50	CG245Q. . 11. 1	HANDLE COVER	1	79	BG430-JCB.1	Bracket	1
22	CG305F. 1-4	Left Nut	1	51	CG245Q. 11	Handle Ass'y	1	80	GB/T9074.13	Screw M5×30	2

The Parts List of Model CG260B Brush Cutter (CE)



NO.	PART NO.	PART NAME	QTY	NO.	PART NO.	PART NAME	QTY	NO.	PART NO.	PART NAME	QTY
A	CG415.3	Gear Case Ass'y	1	C	CG260A.1A	Clutch Comp.	1	F	CG261B.2.1	Lever Ass'y	1
1	GB/T893.2	Stop Ring 26	1	1	CG260A.1A.1	Clutch Drum Comp.	1	1	GB/T846	Screw ST2.9×13	1
2	GB/T894.1	Stop Ring 10	1	2	GB/T893.1	Stop Ring 35	1	2	BL750.3-9	Button	1
3	GB/T276	Bearing 6000-2RZ/P5	1	3	GB/T276	Bearing 6202-2RZ/P6	1	3	BL750.3-7	Spring	1
4	GB/T276	Bearing 6000/P5	1	4	GB/T894.1	Stop Ring 15	1	4	BL750.3-8	Clock Pin	1
5	CG415D.6-4	Pinion	1	5	CG261.1-1	Linker	1	5	BL750.3-4	Handgrip	1
6	CG415.3-1	Steel Cap	1	6	CG305F.14-2	Rubber Cover	1	6	BL750.3-1	Spring	1
7	GB/T70.1	Screw M6×20	1	7	GB/T9074.4	Screw M5×12	1	7	BL750.3-5	Box, Right	1
8	GB/T93	Washer 6	1	8	GB/T70.1	Screw M5×25	2	8	GB/T845	Screw ST2.9×18	2
9	GB/T9074.4	Screw M5×12	4	9	GB/T93	Washer 5	2	9	GB/T70.1	Screw M5×30	1
10	GB/T29.2	Bolt M6×12	1	10	GB/T97.1	Washer 5	2	10	CG330B-FG-1	Cable Comp.	1
11	GB/T97.1	Washer 6	1	11	CG305F.14-3	Clamp B	1	11	BG-328A-2	Tube	1
12	BG305.12.4-4	Gear Case	1	12	CG305F.14-4	Clamp A	1	12	CG328.2.1.1	Stop Button Comp.	1
13	BG305.12.4-9	Safety Guard	1	13	GB/T70.1	Screw M6×20	4	13	BL750.3-3	Handgrip	1
14	GB/T276	Bearing 6000/P5	1	14	GB/T93	Washer 6	4	14	BL750.3-2	Spring	1
15	BG-328.9.5-2	Gear	1	15	GB/T97.1	Washer 6	4	15	BL750.3-6	Box, Left	1
16	CG305F.1-1	Gear Shaft	1					16	GB/T889.1	Nut M5	1
17	GB/T276	Bearing 6002-2RZ/P5	1	D	CG415-CE.1	Pipe Comp.	1				
18	GB/T893.2	Stop Ring 32	1	1	BG-328.9.4-5	Rubber Cover	6	G	CG260.3	Holder Ass'y	1
19	BG305.12.4-5	Holder A	1	2	BG-328.9.4-4	Oil-Bearing	6	1	CG260.3.1	Harness Clamp	1
20	CG305F.1-3	Holder B	1	3	CG415-CE.1-1	Pipe	1	2	CG260.3-1	Clamp	1
21	GB/T862.1	Washer 10	1	4	CG420.2-3	Drive Shaft	1	3	GB/T70.1	Screw M5×20	1
22	CG305F.1-4	Left Nut	1					4	GB/T889.1	Nut M5	1
23	GB/T91	Pin 2×16	1	E	CG520-HL.17	Nylon Cutter Head	1	E	BG430.2.6	Guard Ass'y	1
				1	CG520-HL.17.1	Case	1	1	BG430-JBC-1	Bracket	1
B		Handle Ass'y	1	2	CG520-HL.17-3	Spring	1	2	GB/T9074.13	Screw M5×30	2
1	GB/T9074.13	Bolt M5×25	2	3		Nylon Rope φ2.5×2100	2	3	CG420.7.1-1	Safety Guard	1
2	CG415D-2	Cap, Lower	1	4	CG520-HL.17-2	Cord Holder	1	4	GB/T96	Washer 5	4
3	CG415D-3	Bracket	1	5	CG520-HL.17-4	Cover	1	5	IE40F-5A-CE-4	Screw M5×16	4
4	CG261B.1-1	Handle	1	6	CG520-HL.17-1	Cover	1	6	GB/T845	Screw ST4.2×16	1
5	CG330B-CE.3-1	Grip Left	1					7	CG420.7.1.1	Guard Ass'y	1